







heavyduty edition 2

The Certikin BP Commercial Pumps

Designed with efficiency in mind, these unique centrifugal pumps offer quality performance and reliability.

All models in this range have been developed primarily for the swimming pool industry.

-  **Water temperature:**
To 40°C
-  **Max pressure:**
2.1 Bar
-  **Room temperature:**
To 40°C
-  **Total suction lift:**
To 2 metres
-  **Single phase:**
230V
-  **Three phase:**
230/400V to 5.5HP
400/680V from 7.5HP - 12.5HP

bp pumps

3000 rpm from Certikin

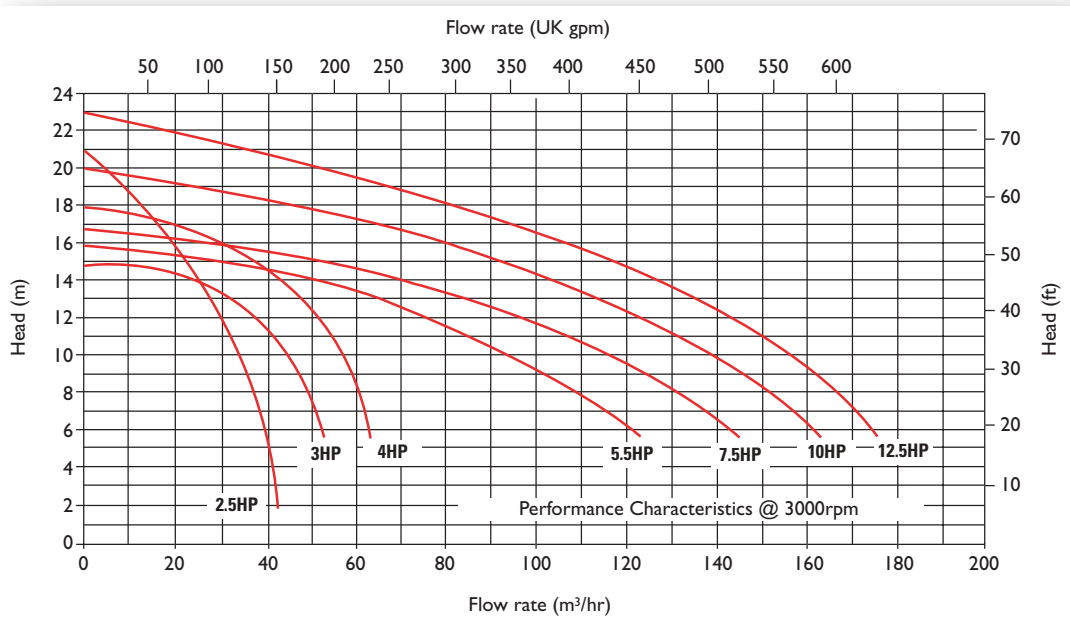


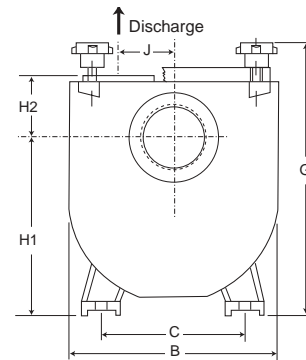
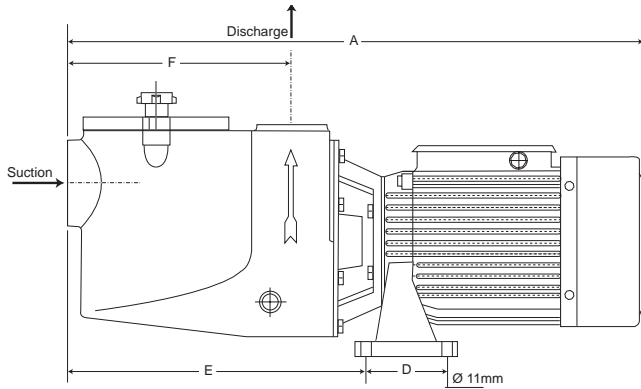
Design improvements may invalidate the dimensions. Latest drawings are available on request

Certikin Commercial Pumps - 3000rpm

Code	Phase	Description	Running Current
BP251	1	2.5HP (1.9kW)	12.2 AMP
BP253	3	2.5HP (1.9kW)	4.2 AMP
BP301	1	3.0HP (2.2kW)	13.5 AMP
BP303	3	3.0HP (2.2kW)	4.8 AMP
BP403	3	4.0HP (3.0kW)	6.2 AMP
BP553	3	5.5HP (4.1kW)	9.4 AMP
BP753	3	7.5HP (5.6kW)	11.3 AMP
BP1003	3	10.0HP (7.5kW)	15.0 AMP
BP1253	3	12.5HP (9.4kW)	18.5 AMP

Certikin Commercial Pump Curves 3000rpm





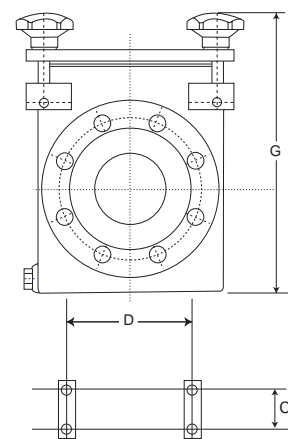
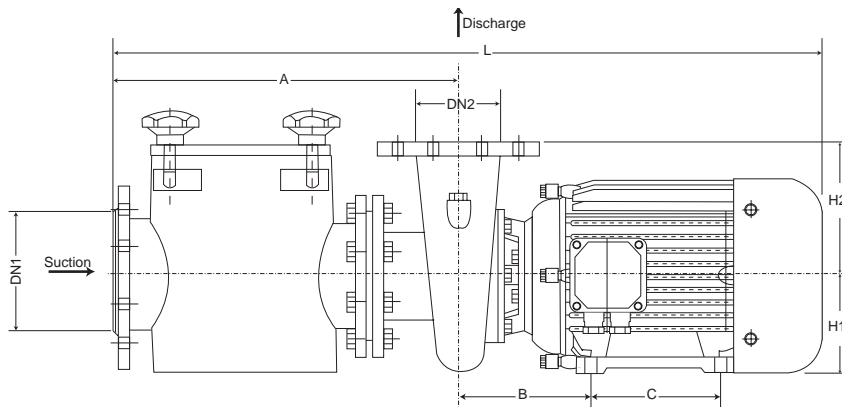
Certikin Commercial Pumps Dimensions - 2.5HP

Code	Model	A	B	C	D	E	F	G	H1	H2	J	Connections	Weight
BP253	2.5HP	618	210	144	84	307	233	280	180	62	56	2" BSP female thread	45.6

- All dimensions are in mm
- All weights are shown in kg
- Flange faces are PN10 (BS4505) compatible
- Please enquire for alternative options / or bronze body models
- C & D are centres of 11mm holes for base fixings

Standard Features - BP pumps

- Bronze Impeller
- Integral Strainer Box with St/St basket
- Stainless steel and mechanically sealed shaft
- 3000 or 1500 rpm motors 50Hz (60Hz option)
- Cast Iron Body
- IP55 Protection Rated
- Self Priming
- Quick release strainer lid



Certikin Commercial Pumps Dimensions - 3HP to 12.5HP

Code	Model	kW	A	B	C	D	G	H1	H2	L	DNI	Holes	FLG	DN2	Holes	FLG	Weight
BP303	3HP	2.2	383	62	84	144	320	120	130	735	80	8 x Ø18	90	50	8 x Ø18	63	50
BP403	4HP	3.0	420	104	84	144	320	128	190	807	100	8 x Ø18	110	100	8 x Ø18	110	62
BP553	5.5HP	4.1	420	108	112	176	358	132	190	877	125	8 x Ø18	140	100	8 x Ø18	110	82
BP753	7.5HP	5.6	470	176	140	216	358	132	190	930	125	8 x Ø18	140	100	8 x Ø18	110	93
BP1003	10HP	7.5	470	176	140	216	358	132	190	968	125	8 x Ø18	140	100	8 x Ø18	110	100
BP1253	12.5HP	9.4	470	176	178	216	358	132	190	968	125	8 x Ø18	140	100	8 x Ø18	110	109

bp pumps

1500 rpm from Certikin

The Certikin BP Commercial Pumps

Designed with efficiency in mind, these unique centrifugal pumps offer quality performance and reliability.

All models in this range have been developed primarily for the swimming pool industry.



Water temperature:

To 40°C



Max pressure:

2.1 Bar



Room temperature:

To 40°C



Total suction lift:

To 2 metres



Three phase:

230/400V to 5.5HP
400/680V to 15HP



Standard Features - BP pumps

- Bronze Impeller
- Integral Strainer Box with St/St basket
- Stainless steel and mechanically sealed shaft
- 3000 or 1500 rpm motors 50Hz (60Hz option)
- Cast Iron Body
- IP55 Protection Rated
- Self Priming
- Quick release strainer lid

Design improvements may invalidate dimensions. Latest drawings are available on request

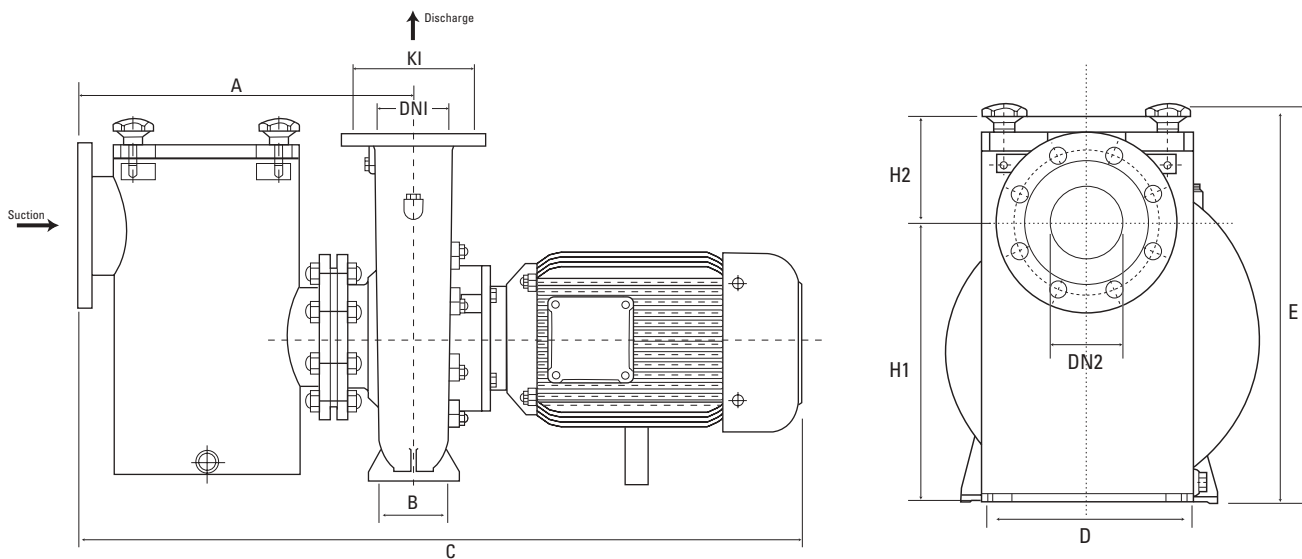
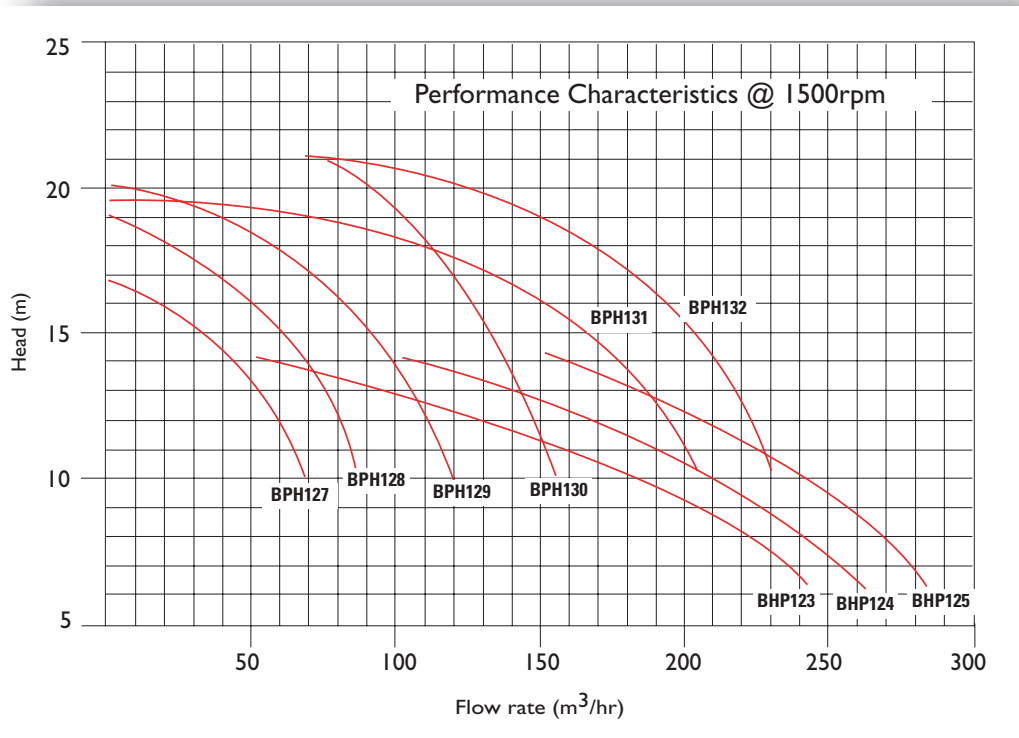
- All dimensions are in mm
- All weights are shown in kg
- Flange faces are PN10 (BS4505) compatible
- Please enquire for alternative options / or bronze body models



Certikin Commercial Pumps - 1500rpm

Code	Phase	Description	Running Current
BPH123	3	10HP (7.5kW)	16.4 AMP
BPH124	3	12.5HP (9.4kW)	21.5 AMP
BPH125	3	12.5HP (9.4kW)	21.5 AMP
BPH126	3	15HP (11kW)	23.0 AMP
BPH127	3	4.0HP (3.0kW)	7.5 AMP
BPH128	3	5.5HP (4.1kW)	9.5 AMP
BPH129	3	7.5HP (5.6kW)	13.8 AMP
BPH130	3	10.0HP (7.5KW)	16.4 AMP
BPH131	3	12.5HP (9.4KW)	21.5 AMP
BPH132	3	15HP (11KW)	23 AMP

Certikin Commercial Pump Curves 1500rpm



Certikin Commercial Pumps Dimensions - 4HP to 15HP

Code	Model	A	B	C	D	E	H1	H2	DNI	FLG	Holes	DN2	FLG	Holes	Weight
BPH123	10HP	585	120	1075	315	622	440	165	125	160	8 x Ø18	150	140	8 x Ø18	207
BPH124	12.5HP	585	120	1100	315	622	440	165	125	160	8 x Ø18	150	140	8 x Ø18	212
BPH125	12.5HP	585	120	1100	315	622	440	165	125	160	8 x Ø18	150	140	8 x Ø18	218
BPH126	15HP	585	120	1200	315	622	440	165	125	160	8 x Ø18	150	140	8 x Ø18	225
BPH127	4HP	400	120	840	280	450	200	250	65	110	8 x Ø18	100	75	8 x Ø18	95
BPH128	5.5HP	400	120	860	280	450	200	250	65	110	8 x Ø18	100	75	8 x Ø18	103
BPH129	7.5HP	473	120	980	315	480	200	280	80	140	8 x Ø18	125	90	8 x Ø18	131
BPH130	10HP	473	120	1016	315	480	200	280	80	140	8 x Ø18	125	90	8 x Ø18	141
BPH131	12.5HP	755	120	1100	315	622	440	115	100	160	8 x Ø18	150	110	8 x Ø18	210
BPH132	15HP	755	120	1200	315	622	440	115	100	160	8 x Ø18	150	110	8 x Ø18	243

heavyduty

Certikin
international ltd

Certikin International
Witan Park,
Avenue 2,
Station Lane Industrial Estate, Witney,
Oxon OX28 4FJ

UK Tel: +44 (0) 1993 778855
UK Fax: +44 (0) 1993 778869
Export Tel: +44(0) 1993 700744
Export Fax: +44 (0) 1993 708499
E-mail: info@certikin.co.uk
Web: <http://www.certikin.co.uk>

