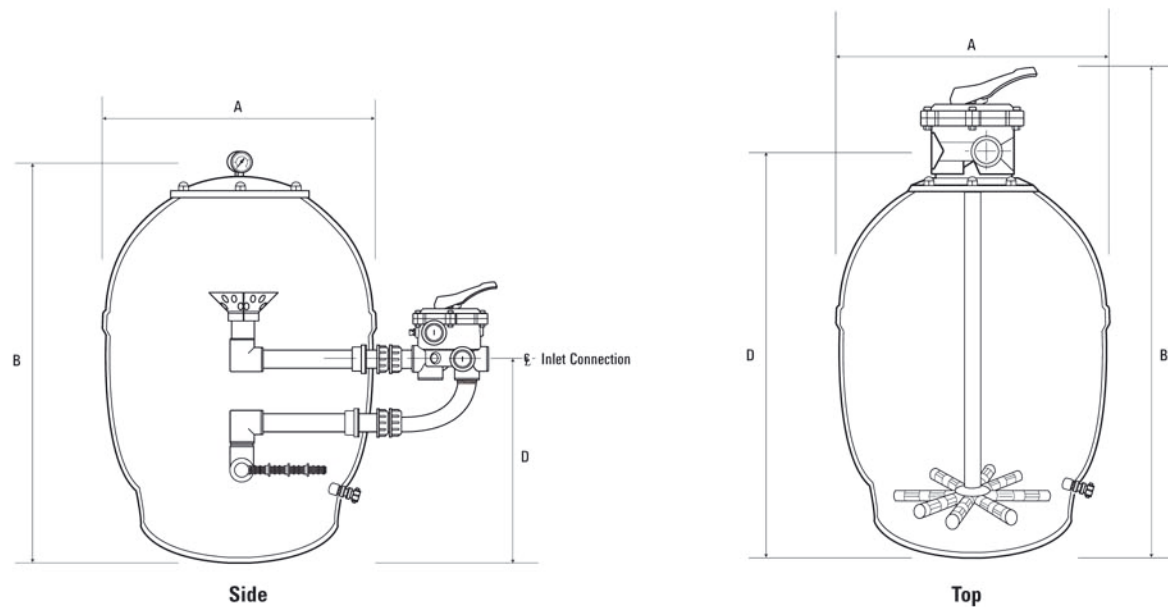


SPECIFICATIONS

- Laminated polyester filter, complete with 6 way valve, pressure gauge, air bleed and large bolt down lid
- Recommended operating pressure: 0.5-1.6bar
- Maximum operating pressure: 2.5bar
- Test Pressure: 4bar - (each model tested for 20,000 cycles)
- Maximum operating temperature: 50°C
- Colour: Yellow

DIMENSIONS



	Code	Diameter (inches) (A)	Diameter (mm) (A)	Connections (inches)	Flow m ³ /hr	Gravel (kg)	Sand (kg)	Weight (kg)	Height (mm) (B)	Height to Valve (mm) (D)	Filtration Area
Side	HS520	20	520	1.5	10	25	75	18	835	432	0.21m ²
	HS640	25	640	1.5	15	50	100	23	905	442	0.32m ²
	HS760	30	760	2	22	50	175	34	1065	512	0.45m ²
	HS900	36	900	2	33	75	250	43	1080	457	0.64m ²
Top	HS520/T	20	520	1.5	10	25	75	17	1045	810	0.21m ²
	HS640/T	25	640	1.5	15	50	100	22	1115	880	0.32m ²
	HS760/T	30	760	2	22	50	175	33	1275	1040	0.45m ²

If you should require further technical information please do not hesitate to contact us.

28.02.06

This literature is intended as a guide. The Company reserve the right to change the specification without notice.



Certikin
international ltd

HYDROSWIM FILTERS

FEATURES

- Laminated polyester filter
- Made in France
- Range of 4 models
20" (520mm) side & top mount
25" (640mm) side & top mount
30" (760mm) side & top mount
36" (900mm) side mount only
- Filters with a 6 way multiport valve (filtration, backwashing, rinsing, recycling, draining and closing)
- Complete with pressure gauge, airbleed system and large diameter cover

- Filtres polyester laminés
- Produits 100% français
- Gamme composée de 4 modèles
Ø 520
Ø 640
Ø 760
Ø 900

- Filtres équipés d'une vanne de sélection latérale 6 voies manuelle ou automatique (filtration, lavage, rinçage, recyclage, vidange et fermeture).
- Manomètre purgeur d'air et couvercle grand diamètre

- Filtros de polyester laminados
- Productos fabricados enteramente en Francia

- 4 modelos componen nuestra gama
Ø 520
Ø 640
Ø 760
Ø 900

- Filtros equipados de una válvula selectora lateral 6 vías manual o automática (filtración, lavado, enjuague, reciclado, desagüe y cierre)

- Manómetro, purgador y tapa de gran diametro

